

PLEASE READ this guide prior to installation, to familiarise yourself with the various stages of construction required. Carefully open the pack and check the contents against the parts and fittings check list.

Do not destroy any of the packaging until you are certain that you have all the necessary parts.

Please ensure that the packaging is disposed of in a safe and environmentally friendly way.

In the unlikely event of missing or damaged parts, please email [hello@time4sleep.co.uk](mailto:hello@time4sleep.co.uk)

Please have this guide close at hand, quoting the part code reference numbers shown, when requesting spare or replacement parts.

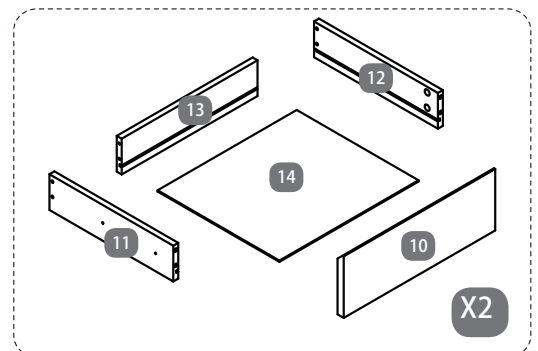
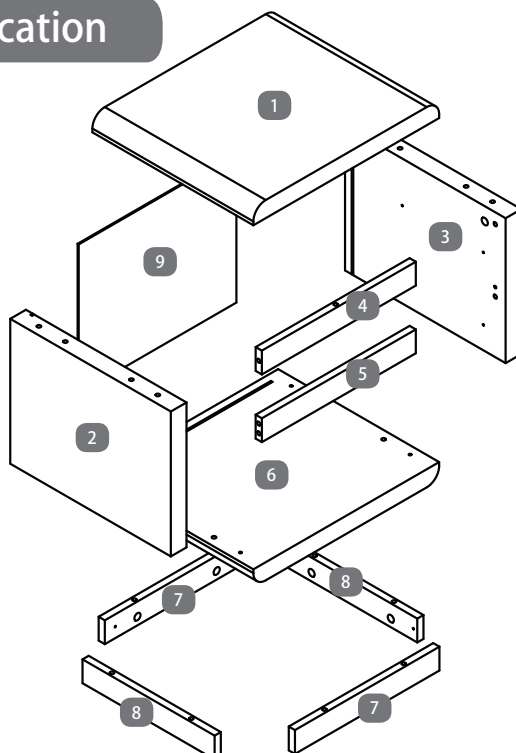
### Warnings

- This product should only be used on a firm and level floor.
- Make sure the legs/base always remains in contact with the floor.
- Keep small parts out of the reach of children during assembly to prevent choking.
- DO NOT use power tools to construct this product.
- DO NOT tighten screws until parts are assembled or as advised in this guide.
- DO NOT over tighten screws or bolts.
- DO NOT use this product if parts are missing, damaged or worn.
- DO NOT sit or stand on the product.

### Care Information

- To clean, wipe with a damp cloth.
- Never use scourers, abrasives or chemical cleaners.
- Do not use solvent based cleaners or detergents as they can bleach or damage the product.

### Parts Identification



## Parts Checklist

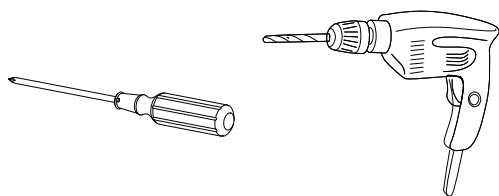
PACK	1/1	Qty	Qty
1	Top Panel	1	9
2	Left Side Panel	1	10
3	Right Side Panel	1	11
4	Upper Cross Rail	1	12
5	Drawer Cross Rail	1	13
6	Bottom Panel	1	14
7	Base frame - Long Plinth	2	
8	Base frame - Short Plinth	2	

## Fittings Checklist

### HARDWARE NEEDED FOR CABINET ASSEMBLY

Code	Description	Qty	Code	Description	Qty
a	Metal Cam Dowel (Ø7 x 40mm)	x15	m	Two Part Drawer Slide m1 & m2	x4
b	Cam Lock ( Ø 15 x 12mm)	x15	n	Plastic Bracket	x4
c	Thin Thread Metal Cam Dowel (Ø5 x 34mm)	x8	p	Screw ( Ø 3 x 16 mm )	x4
d	Cam Lock ( Ø12 x 10mm )	x8			
e	Wooden Dowel ( Ø 8 x 30mm)	x12			
f	Screw ( Ø 5 x 60 mm )	x4			
g	Screw ( Ø 4 x 35 mm )	x8			
h	Screw ( Ø 3.5 x 12 mm )	x24			
j	Screw ( Ø 4 x 14 mm )	x8			
k	Back panel support fitting	x4			
l	Foot Pad ( Ø 12 x 5 mm )	x6			

## Additional Tools Required



## General Hints & Tips



Please retain your assembly instruction and tools provided for future use. Periodically check that all bolts are still tight.

Assembly requires two persons.

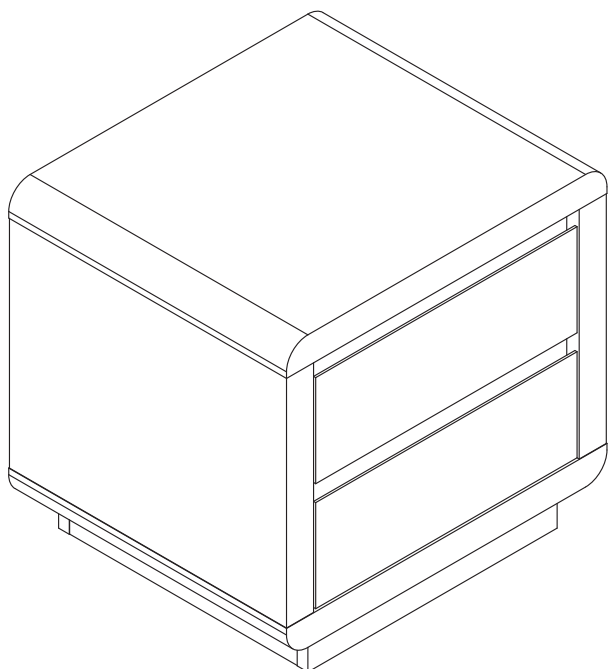
## Care & Maintenance

In the unlikely event of missing or damaged parts, please contact your retailer. Please have this guide at hand quoting the part code reference numbers shown when requesting spare or replacement parts.



Approximate time to assemble this product

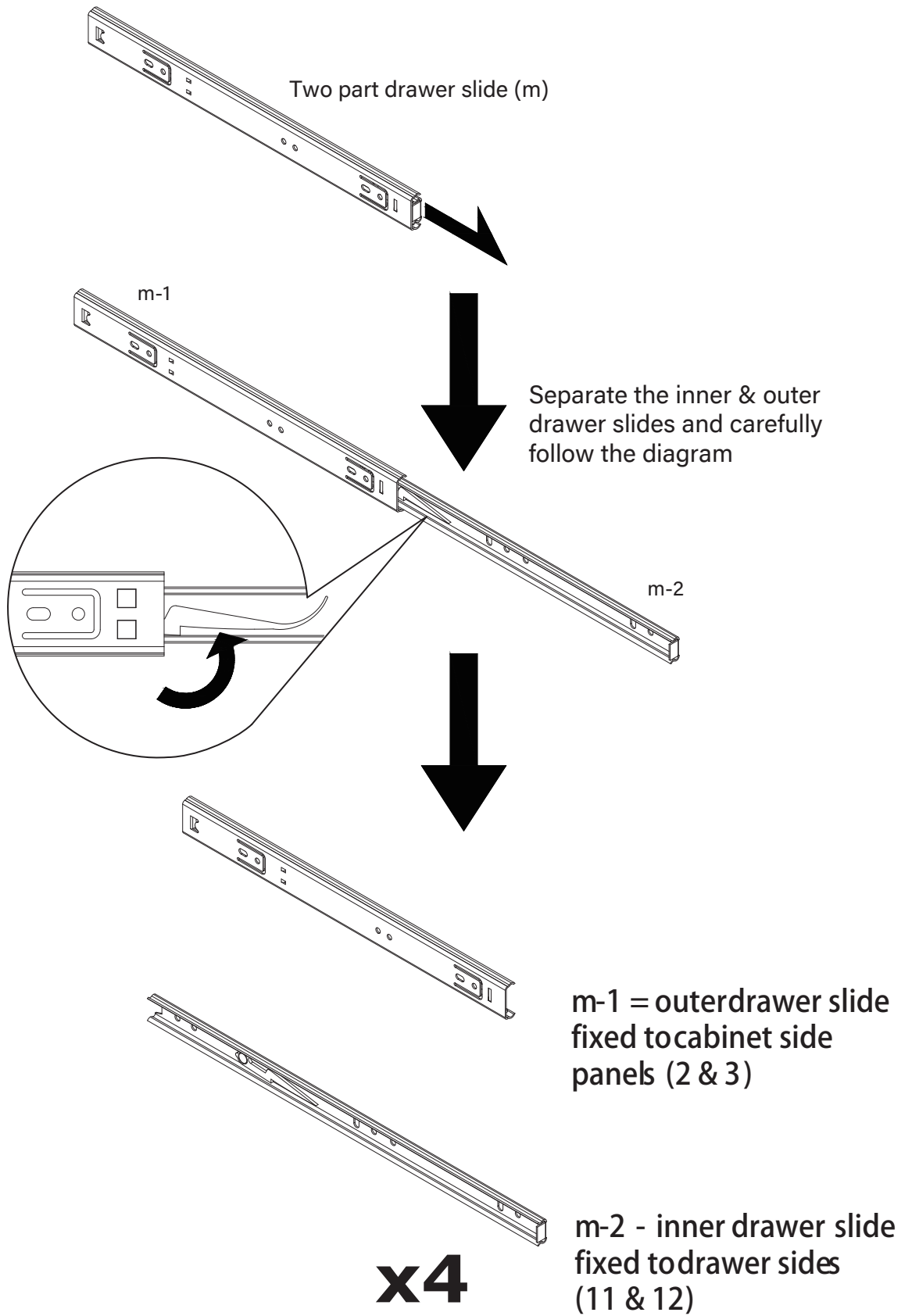
## General Information



- This product is designed to hold 15Kg in total, spread evenly over the whole unit.
- Do not exceed this weight.
- We recommend that this unit is assembled in the room intended for use.
- When you are ready to start, make sure that you have the right tools, plenty of space and a clean, dry area for assembly.
- Unwrap all packaging materials and place the components on top of the carton box or on a clean floor to prevent them from scratching.
- Check the pack and make sure you have all the parts listed.
- Ensure that this product is fully assembled as illustrated before use.
- Check all screws or bolts are tightened and inspect regularly
- Tools not included unless they are specified in the parts list.

# Cabinet Assembly

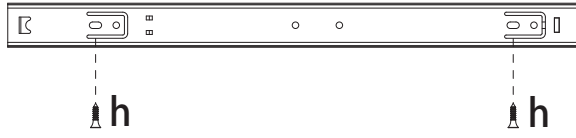
Stage  
1

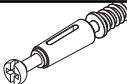

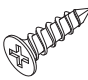



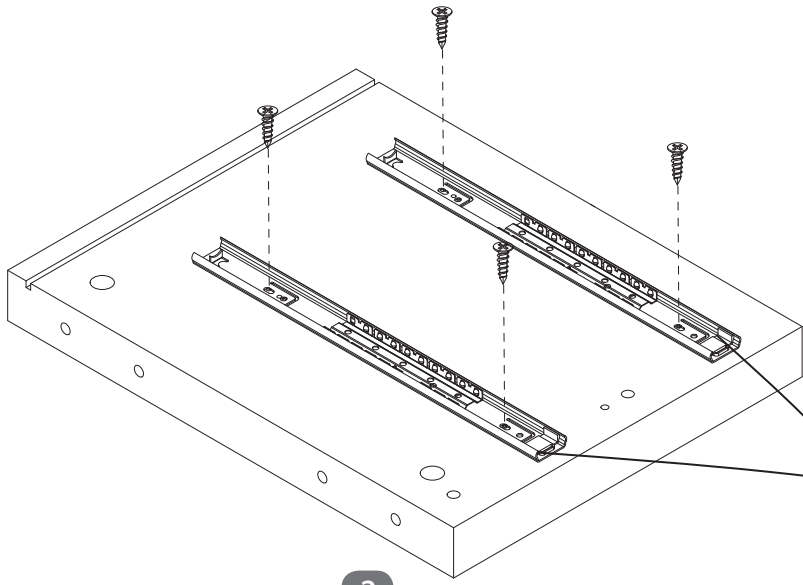
# Cabinet Assembly

Stage  
2

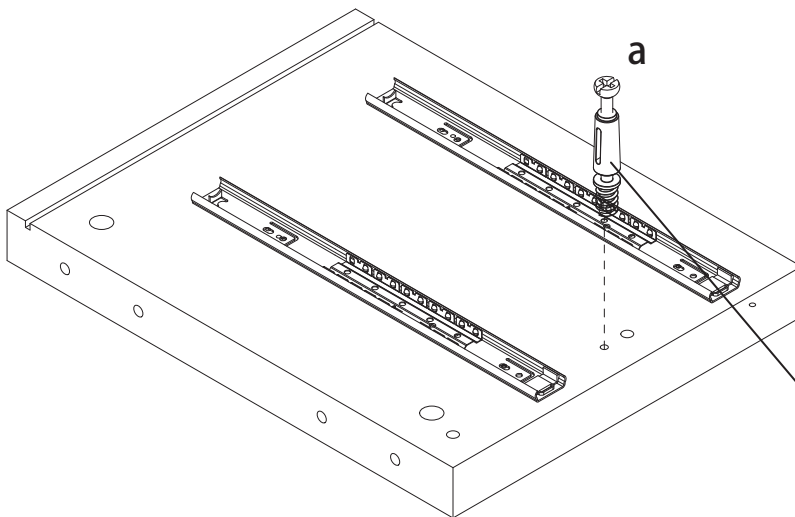
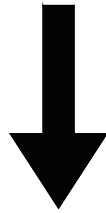
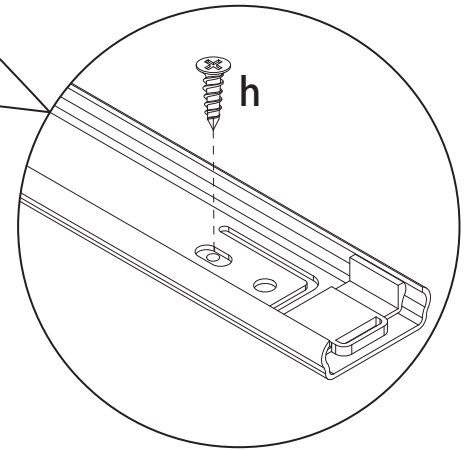
outer drawer slide (m-1)



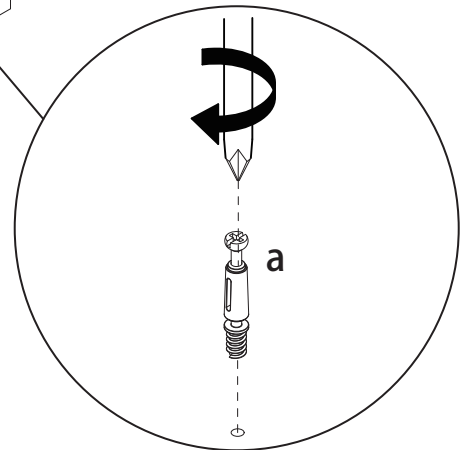
a		1	
h		4	
m-1		2	



2

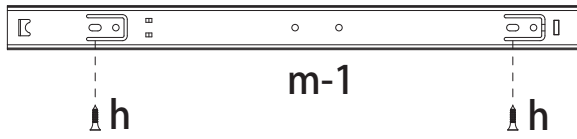


2

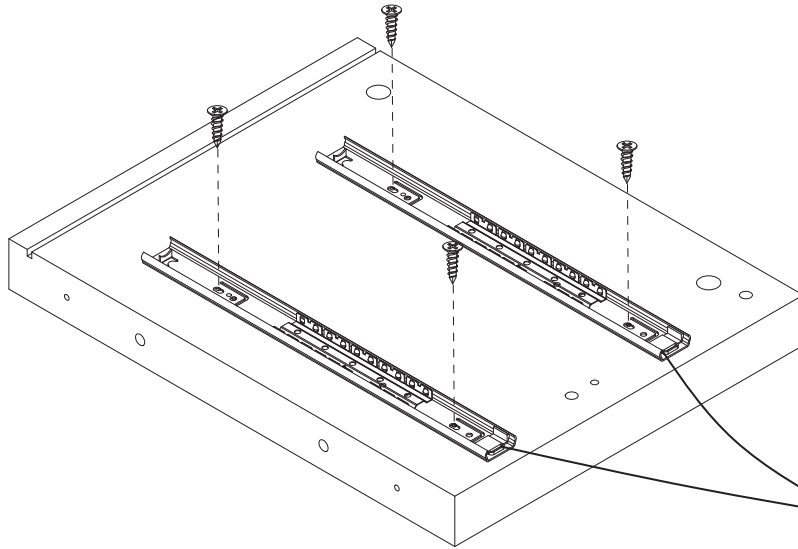


# Cabinet Assembly

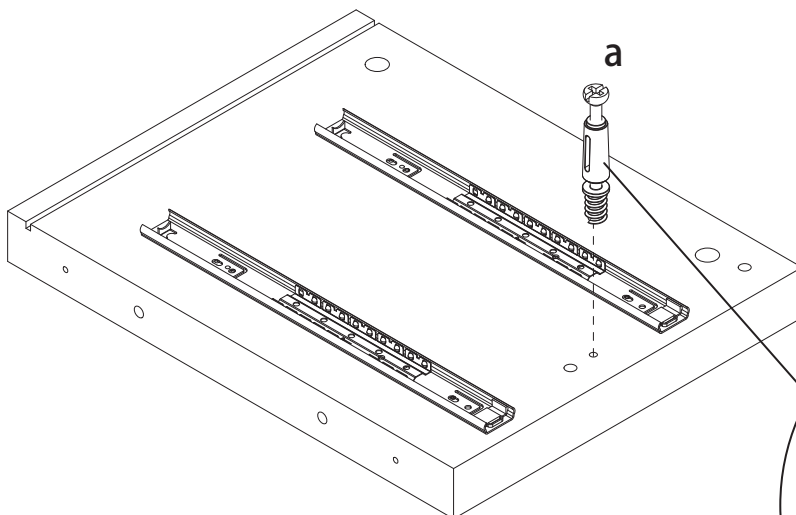
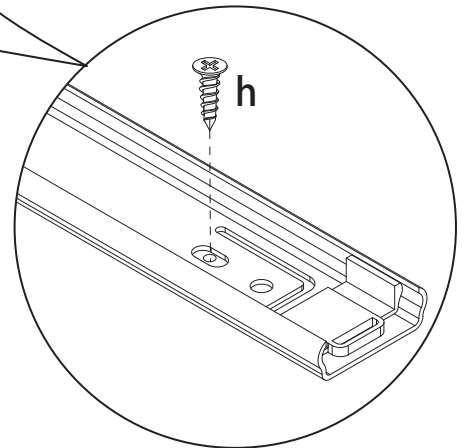
Stage  
3



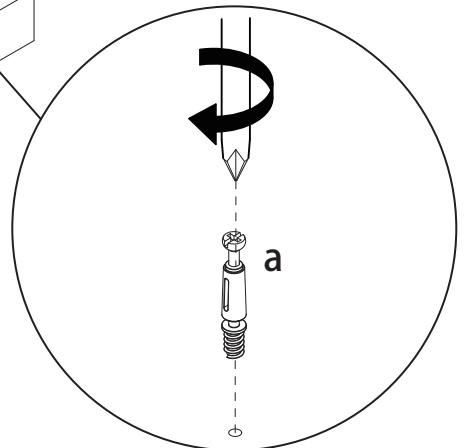
a		1	
h		4	
m-1		2	



3

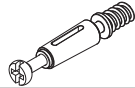




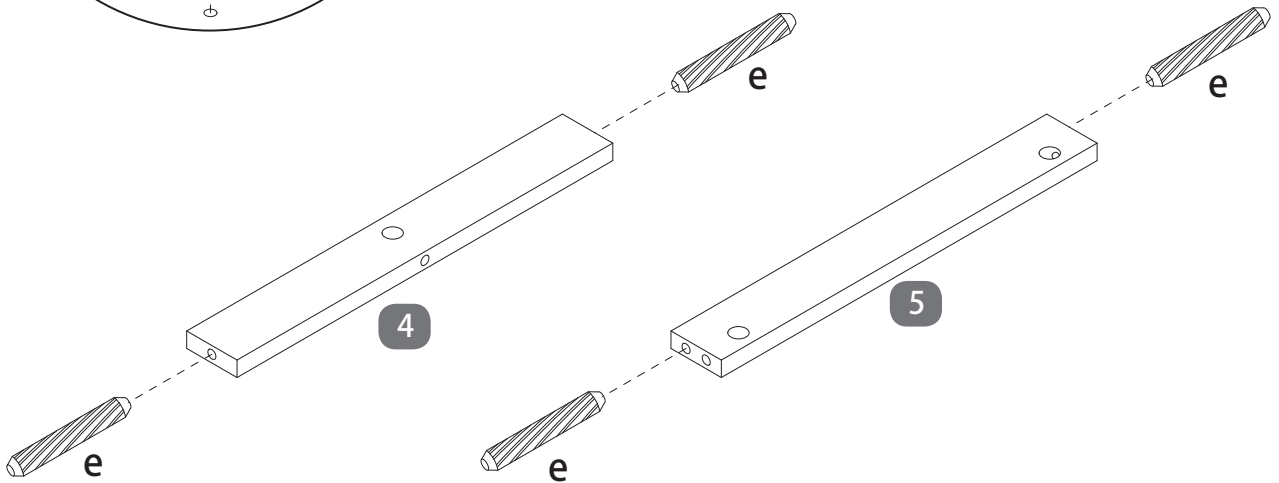
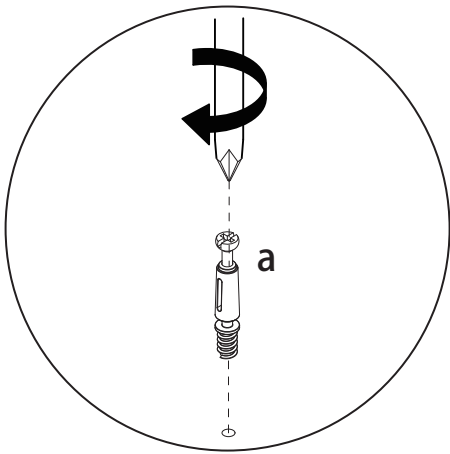
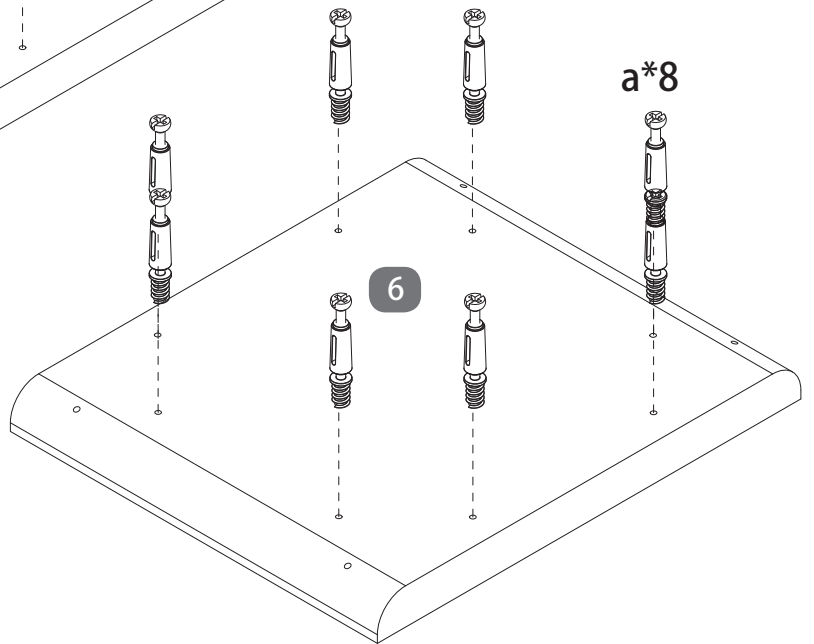
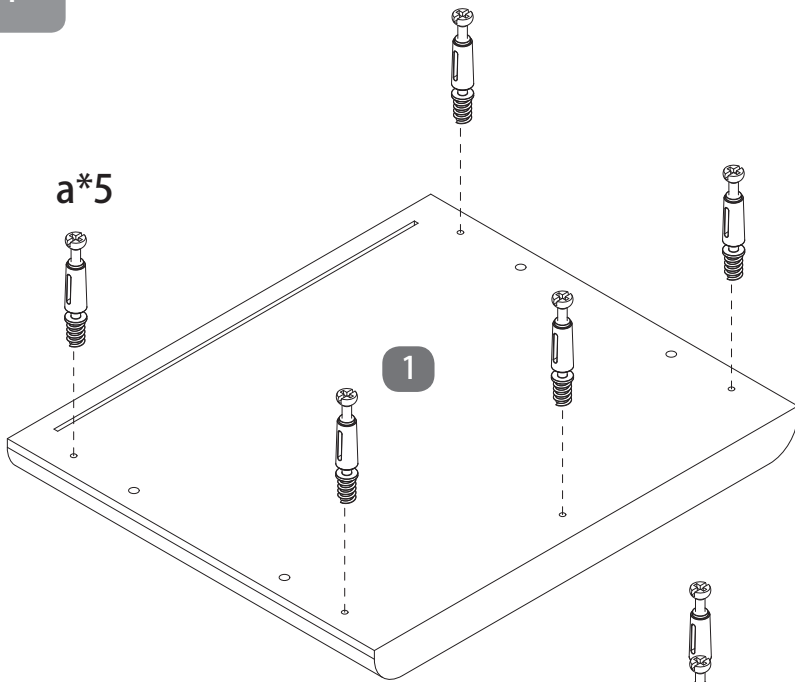
3



# Cabinet Assembly

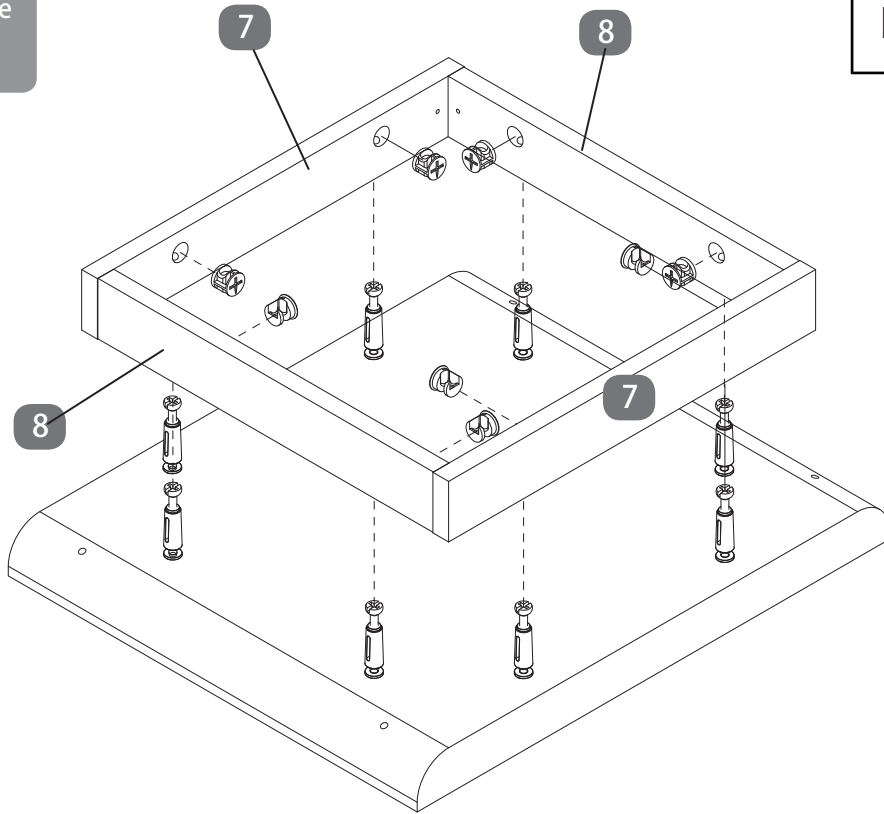
Stage  
4

a		13	
e		4	

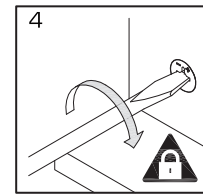
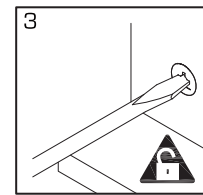
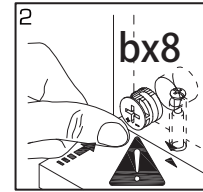
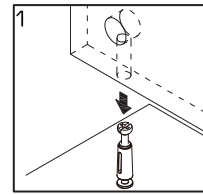


# Cabinet Assembly

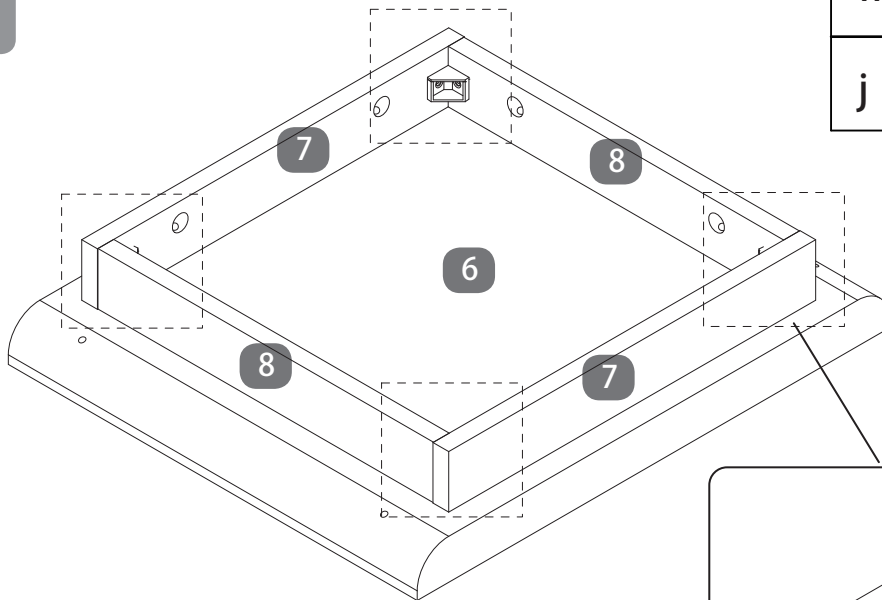
Stage  
5



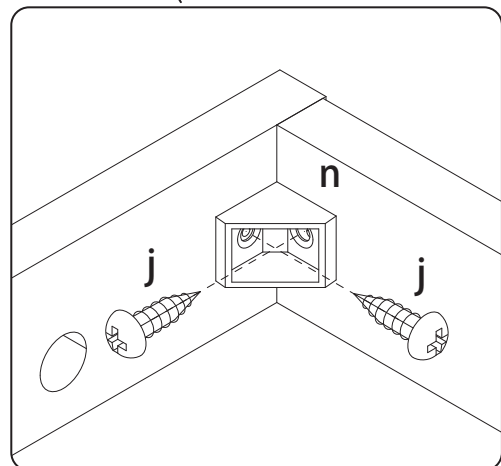
b		8	
---	--	---	--



Stage  
6



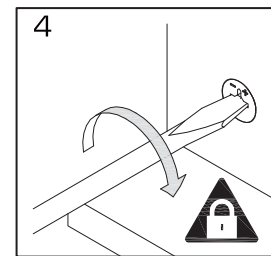
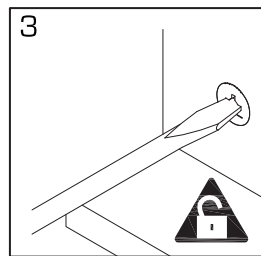
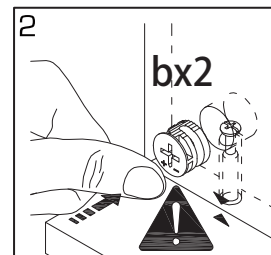
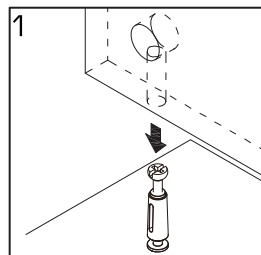
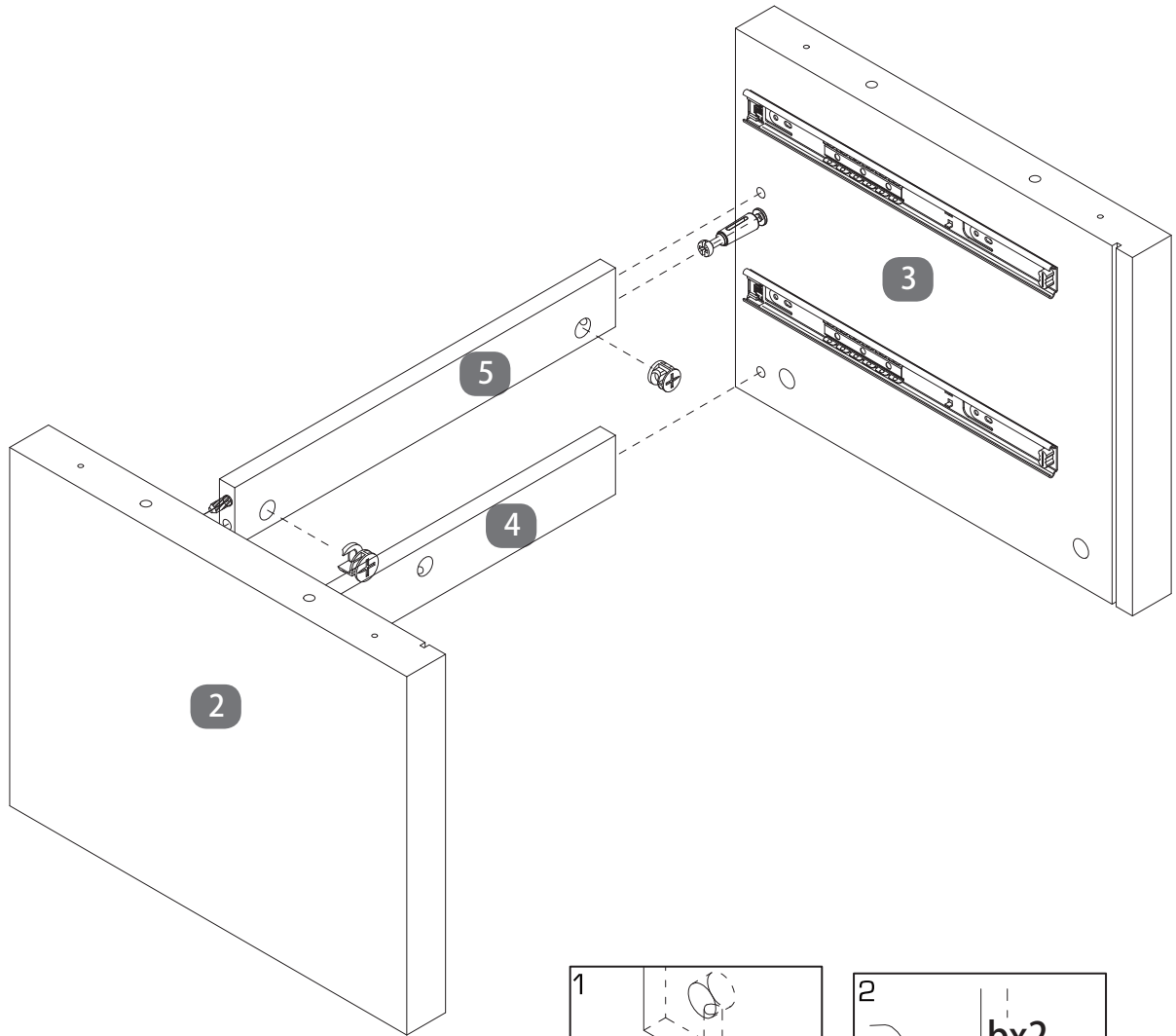
n		4	
j		8	







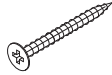
# Cabinet Assembly

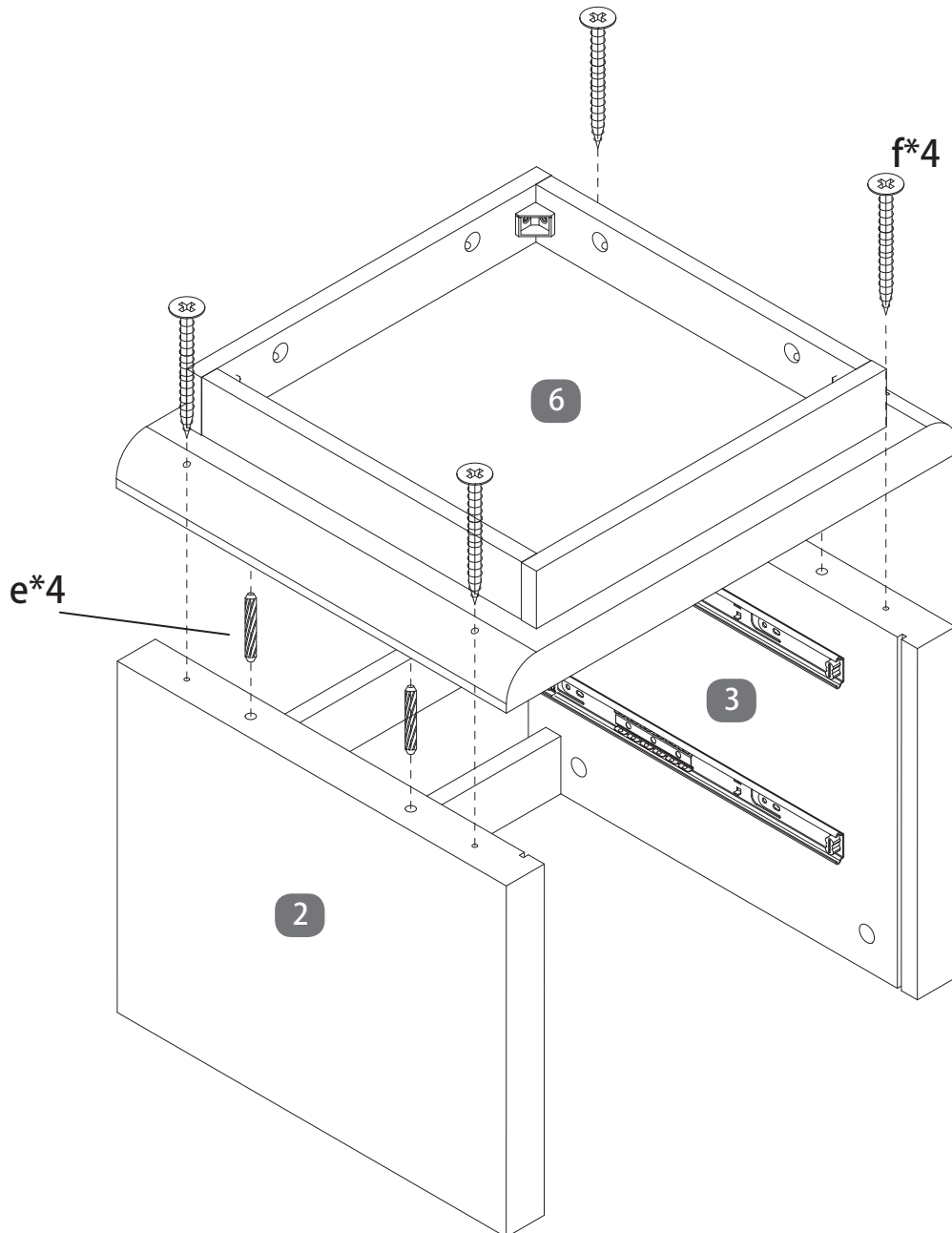
Stage  
7



# Cabinet Assembly


Stage  
8

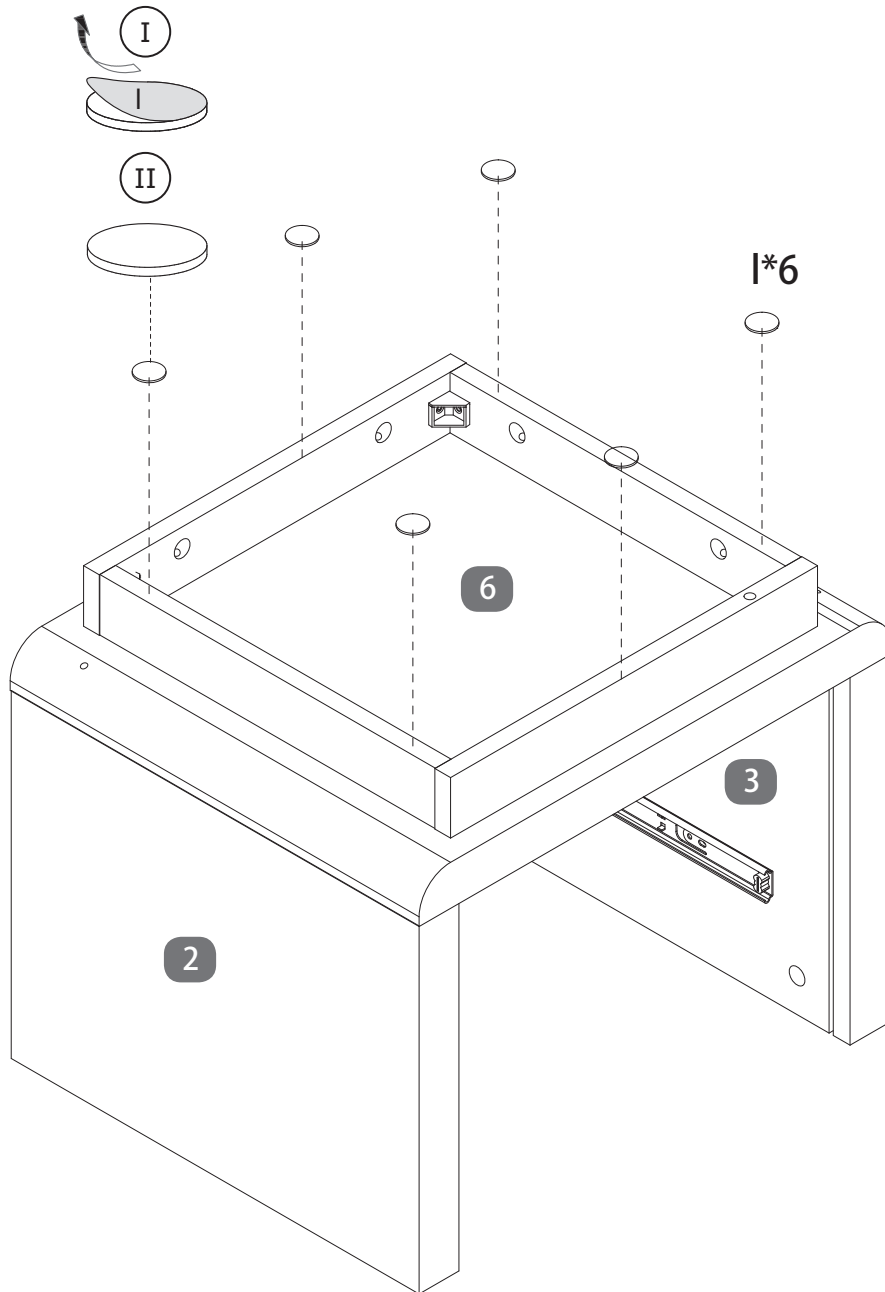
e		4	
f		4	

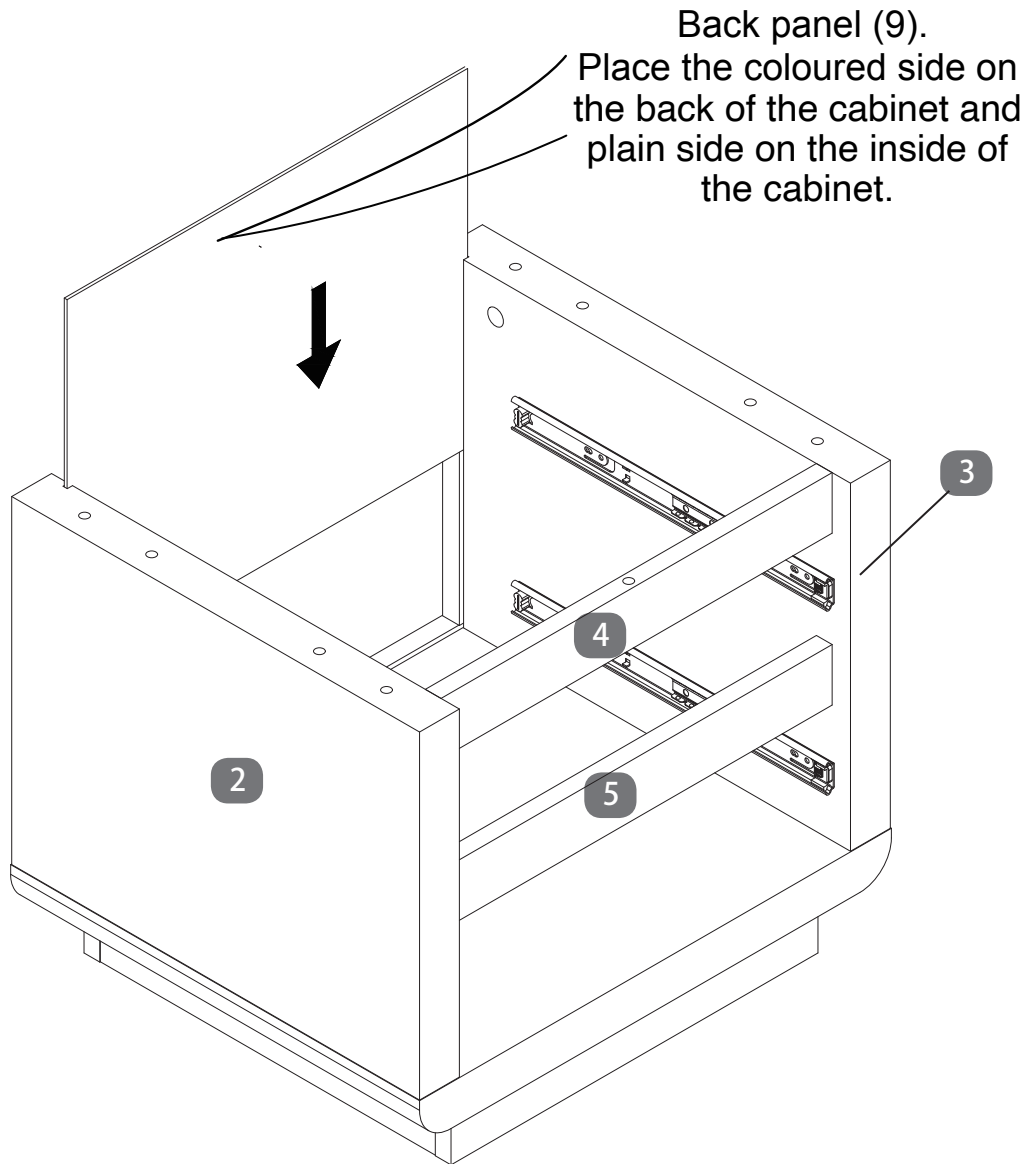


# Cabinet Assembly

Stage  
9




I		6	
---	---	---	--

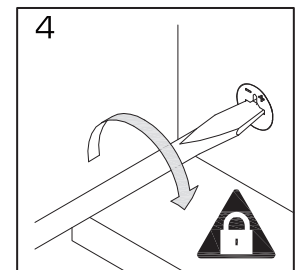
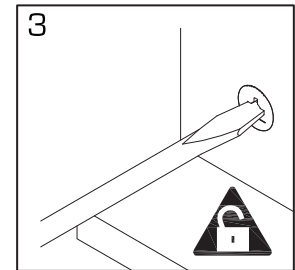
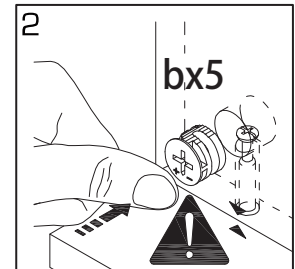
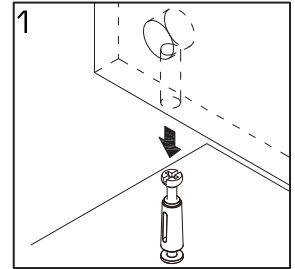
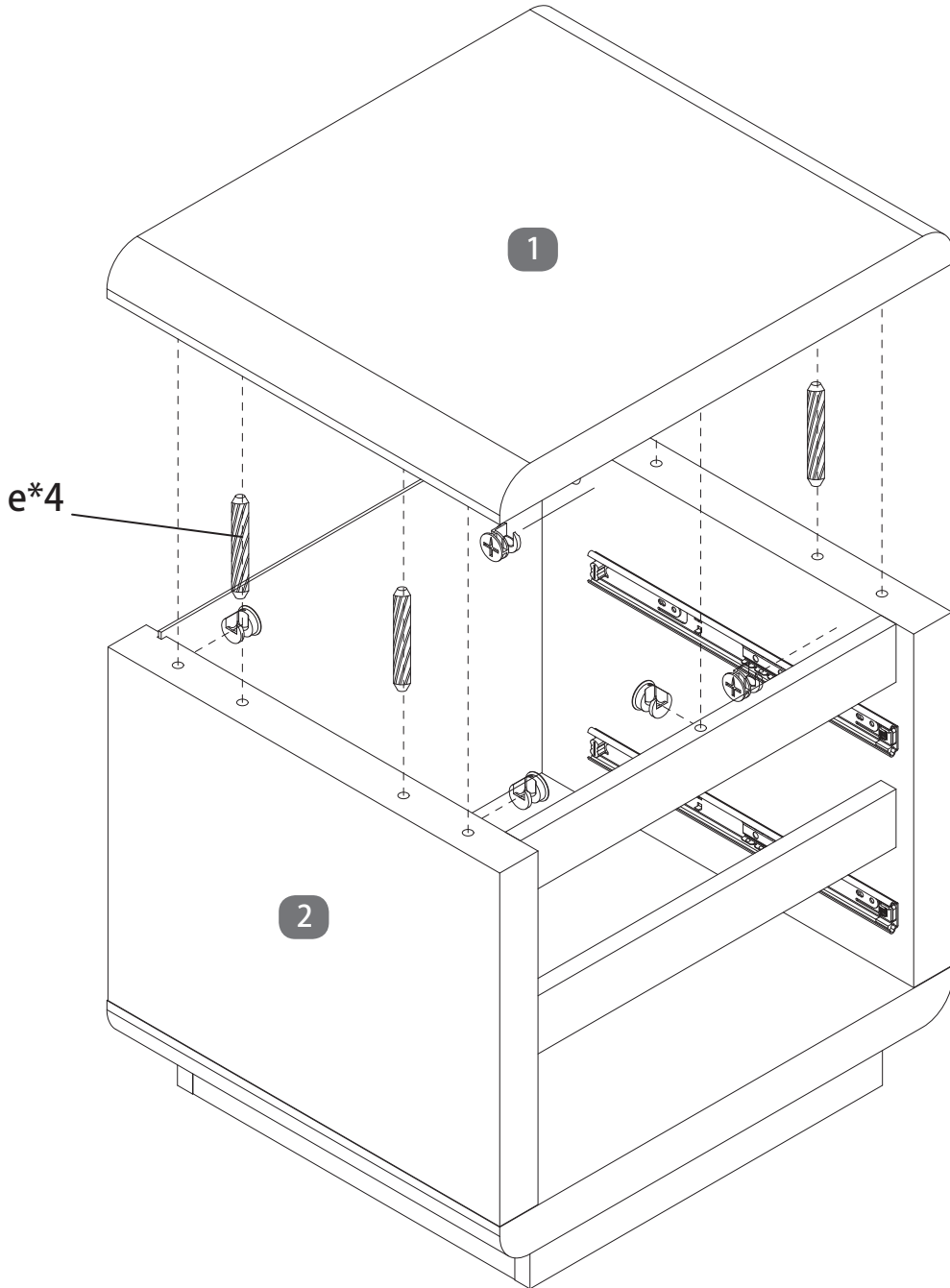




# Cabinet Assembly

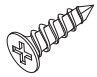


Stage  
11

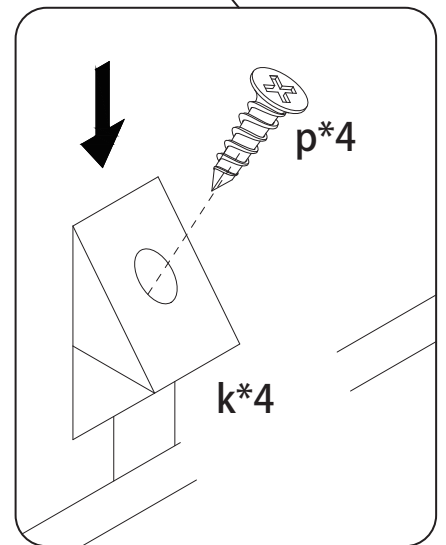
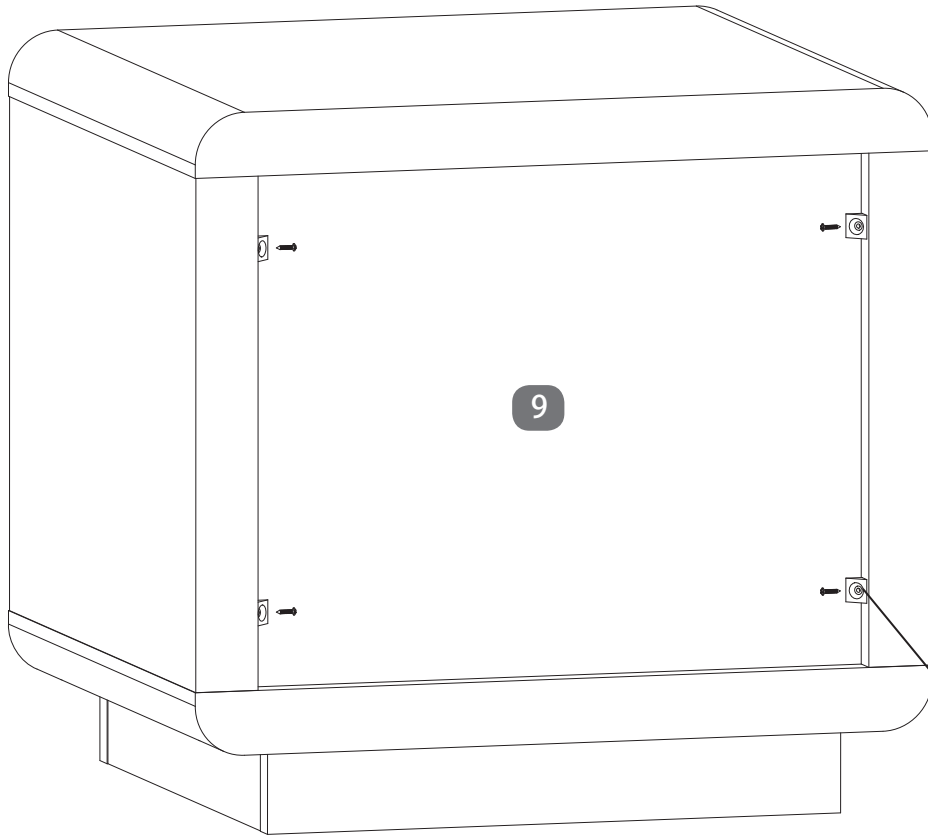
b		5	
e		4	



# Cabinet Assembly

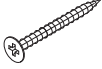

Stage  
12

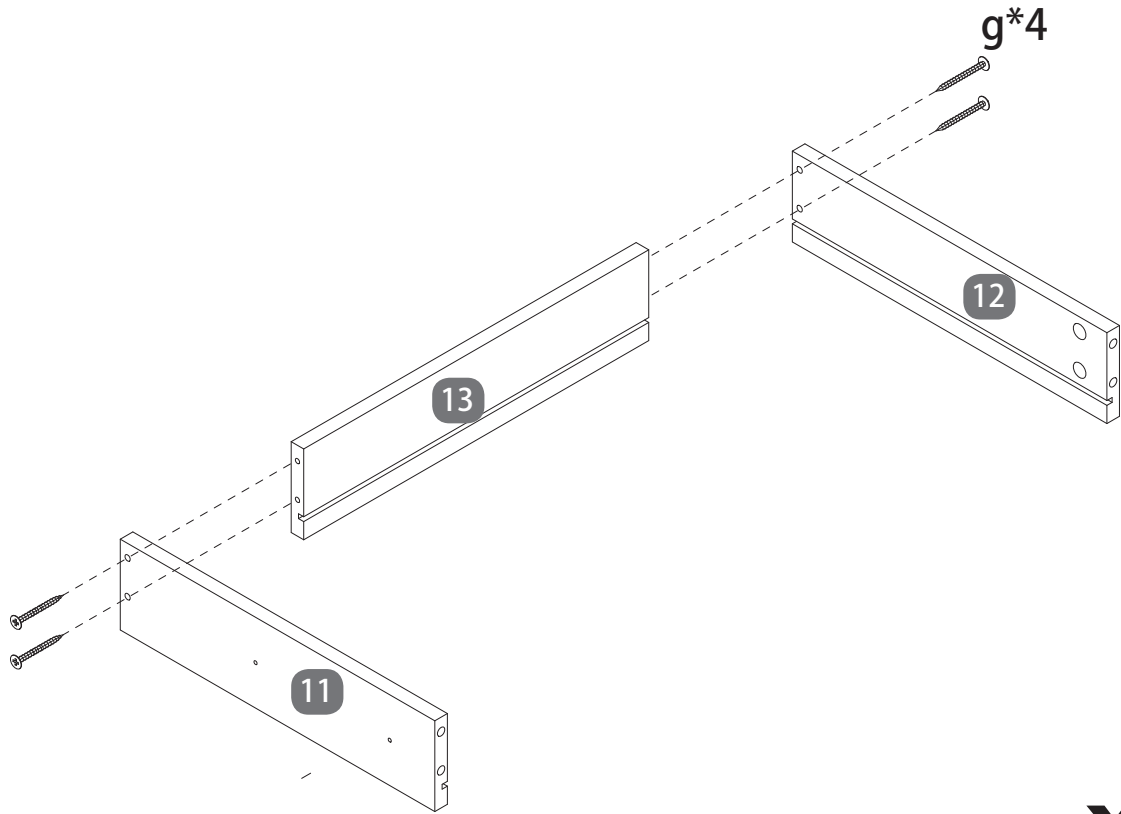
p		4	
k		4	



# Cabinet Assembly

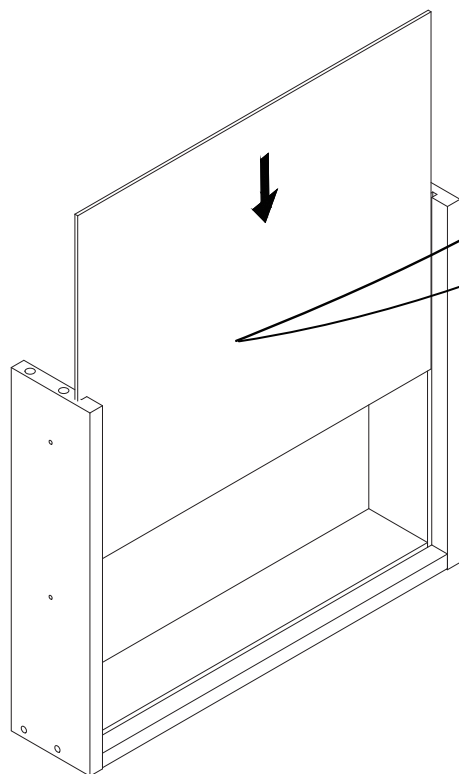
Stage  
13

g		8	
---	--	---	--



**x2**

Stage  
14

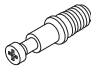




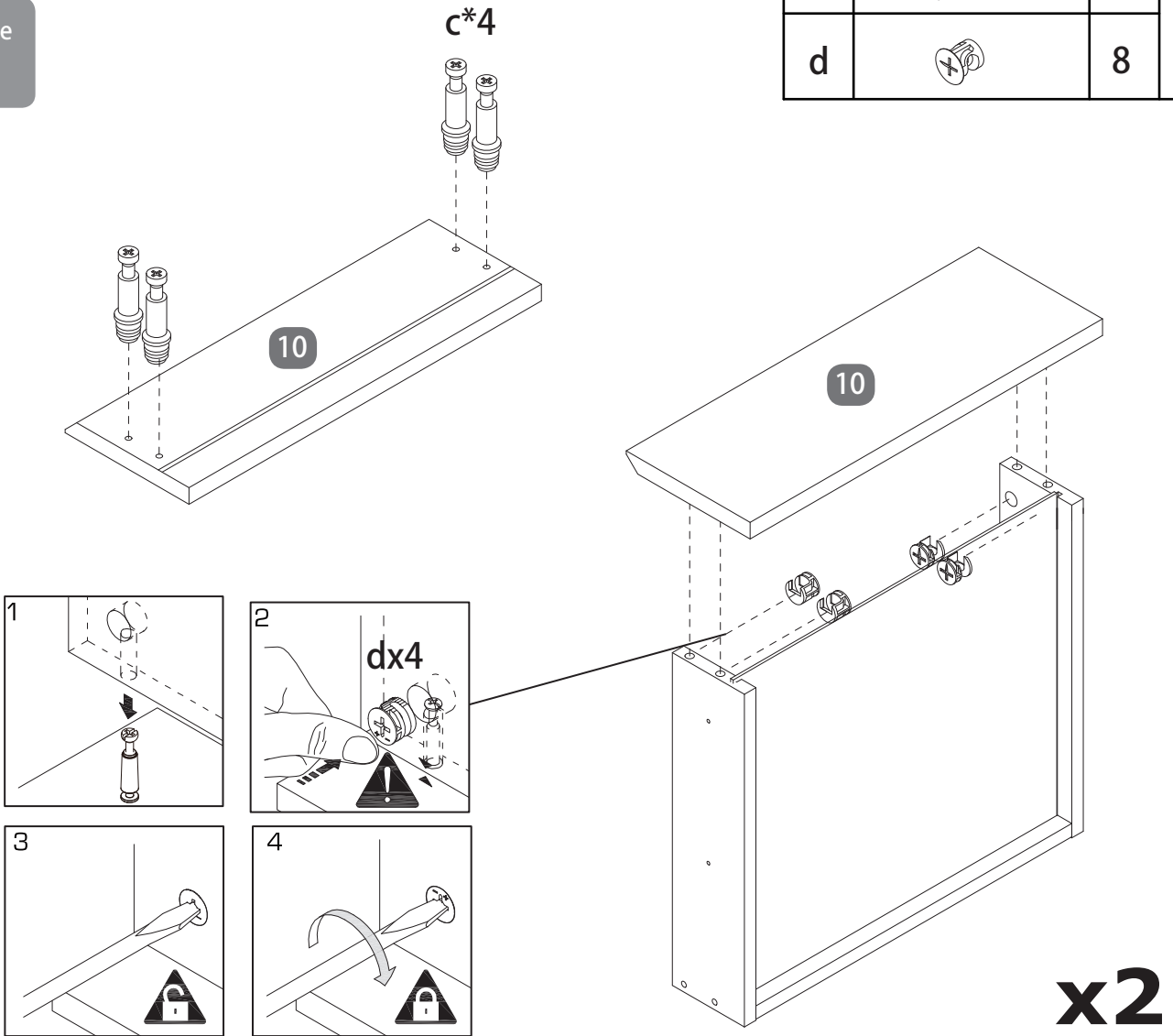
Drawer base (14).  
Place the coloured side on  
the inside of the drawer  
and the plain side  
underneath the drawer.

**x2**

# Cabinet Assembly




Stage  
15

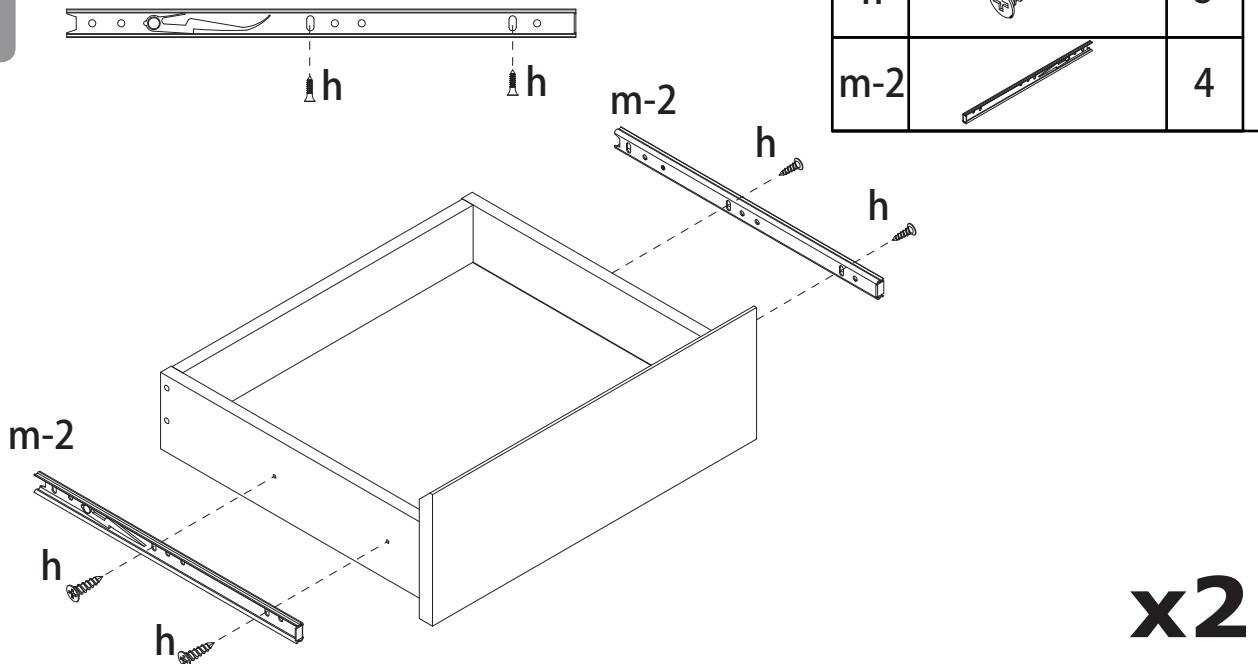
c		8	
d		8	



Stage  
16

inner drawer slide (m-2)

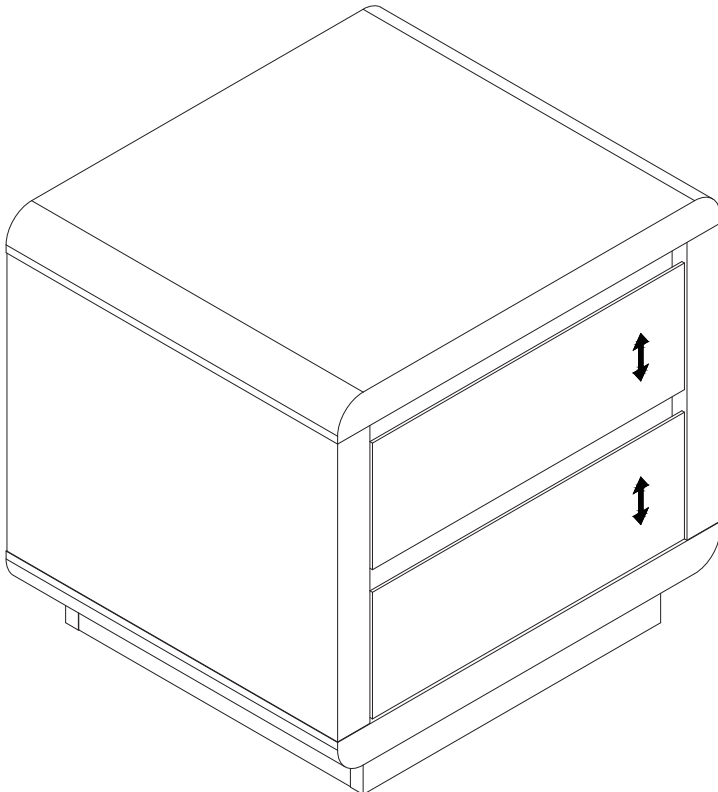
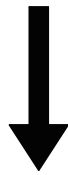
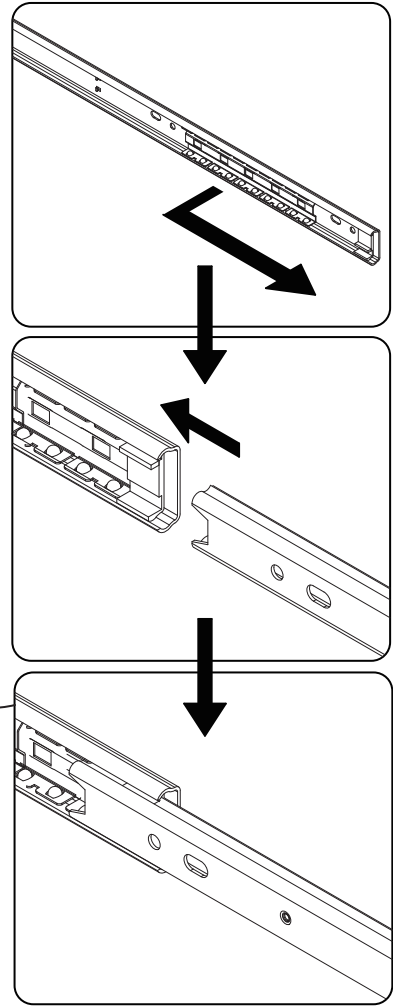
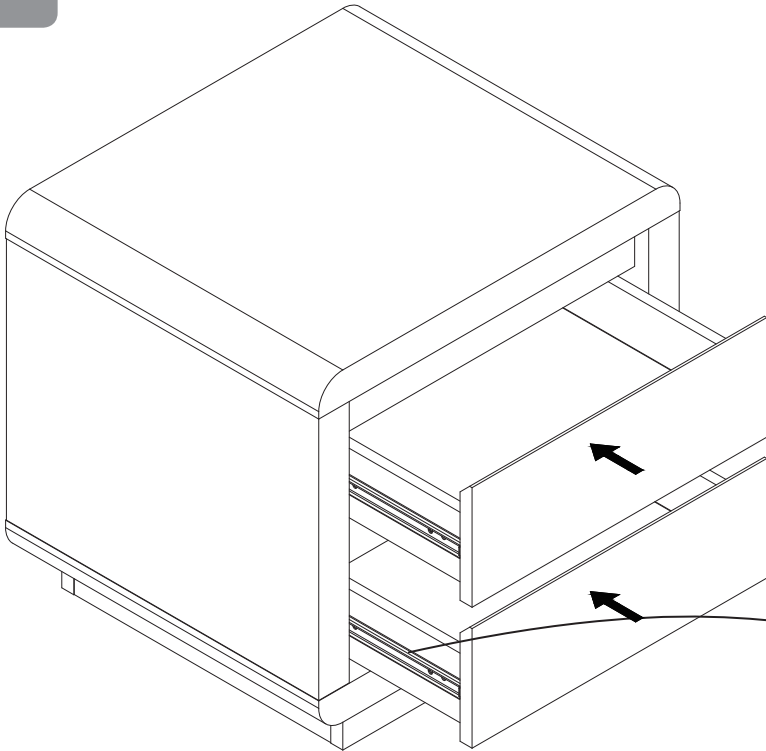
h		8	
m-2		4	





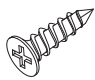

# Cabinet Assembly

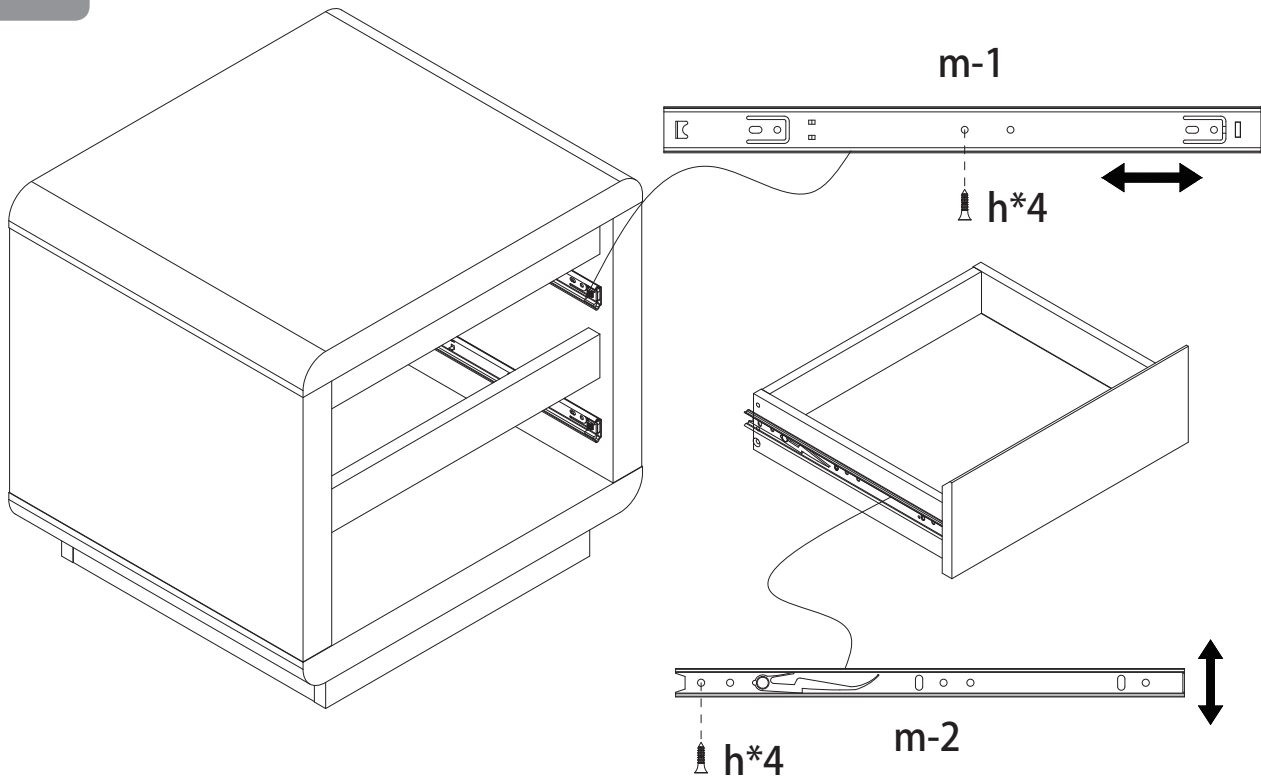
Stage  
17



# Cabinet Assembly

Stage  
18

h		8	
---	---	---	---



Stage  
19

